



SPECIFICATION SHEET

Model #:	_____ Qty: _____
Project #:	_____
Consultant:	_____

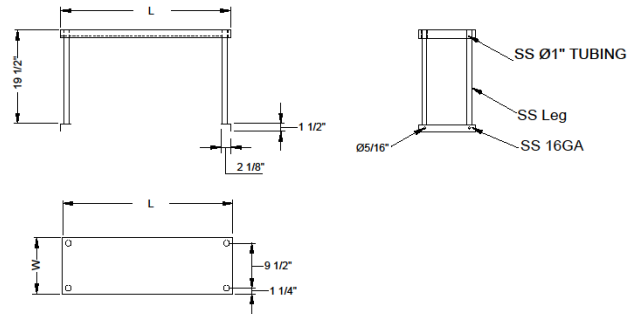
QUALITY FOOD SERVICE EQUIPMENT

OVER SHELF



DIMENSIONS

single rack - table mounted



MATERIAL

- ◆ 18GA 300 stainless steel

FEATURES

- ◆ Includes single rack
- ◆ Safety square turn down edge

Model#	Length	Width
TMS-1236S	36"	12"
TMS-1248S	48"	12"
TMS-1260S	60"	12"
TMS-1272S	72"	12"
TMS-1296S	96"	12"

Model#	Length	Width
TMS-1836S	36"	18"
TMS-1848S	48"	18"
TMS-1860S	60"	18"
TMS-1872S	72"	18"
TMS-1896S	96"	18"